

# FAST FORM WALL SYSTEM CORNER BRACE FIXING DETAIL

## RESIDUAL RISK ASSESMENT



WHEREVER POSSIBLE, RISK IS DESIGNED-OUT OF THIS PROJECT DURING THE DESIGN PROCESS. WHERE THIS IS NOT POSSIBLE, THE RISK WILL BE MINIMISED AND ANY RESIDUAL RISK WILL BE NOTED AND INDICATED BY THE SYMBOL.

1. SPECIAL CARE IS TO BE TAKEN WHEN WORK AT HEIGHTS IS IN PROGRESS. APPROPRIATE EDGE PROTECTION IS TO BE PROVIDED. MATERIALS, FORMWORK MEMBERS OR ANY OBJECTS ARE NOT TO BE STACKED AGAINST THE EDGE PROTECTION. SITE TEAM ARE TO CONSIDER THE RISK OF FALLS FROM HEIGHT WHILST INSTALLING, DISMANTLING AND MAINTAINING THE SUPPORT SYSTEM AND EDGE PROTECTION.

2. ALL LIFTING OPERATIONS ARE TO BE CONDUCTED BY COMPETENT PERSONNEL ONLY. ALL LIFTING EQUIPMENT IS TO BE INSPECTED BEFORE COMMENCING WORKS AND CLASSIFIED AS SAFE TO USE. SPECIAL CARE IS TO BE TAKEN WHEN LIFTING OPERATIONS ARE PERFORMED AND EQUIPMENT IS TO BE TRANSPORTED OVER THE WORKING AREAS. ALL GROUND PERSONNEL IS TO BE MADE AWARE THAT LIFTING OPERATIONS ARE TAKING PLACE.

3. REGULAR INSPECTIONS ARE REQUIRED TO ENSURE INTEGRITY OF THE SYSTEM IS MAINTAINED. ANY DAMAGED PARTS SHOULD BE REPLACED AT THE EARLIEST OPPORTUNITY. IF HAZARD IS NOTICED IT MUST BE REPORTED TO THE SUPERVISOR IMMEDIATELY.

4. FOLLOW POUR RATES INDICATED ON THE DRAWING WITH ATTENTION TO THE MAX. DESIGN PRESSURE AND THE RATE OF RISE PER HOUR.

5. MAKE SURE CONCRETE STRENGTH IS SUFFICIENT TO SUPPORT ITS OWN WEIGHT BEFORE STRIKING THE FORMWORK.



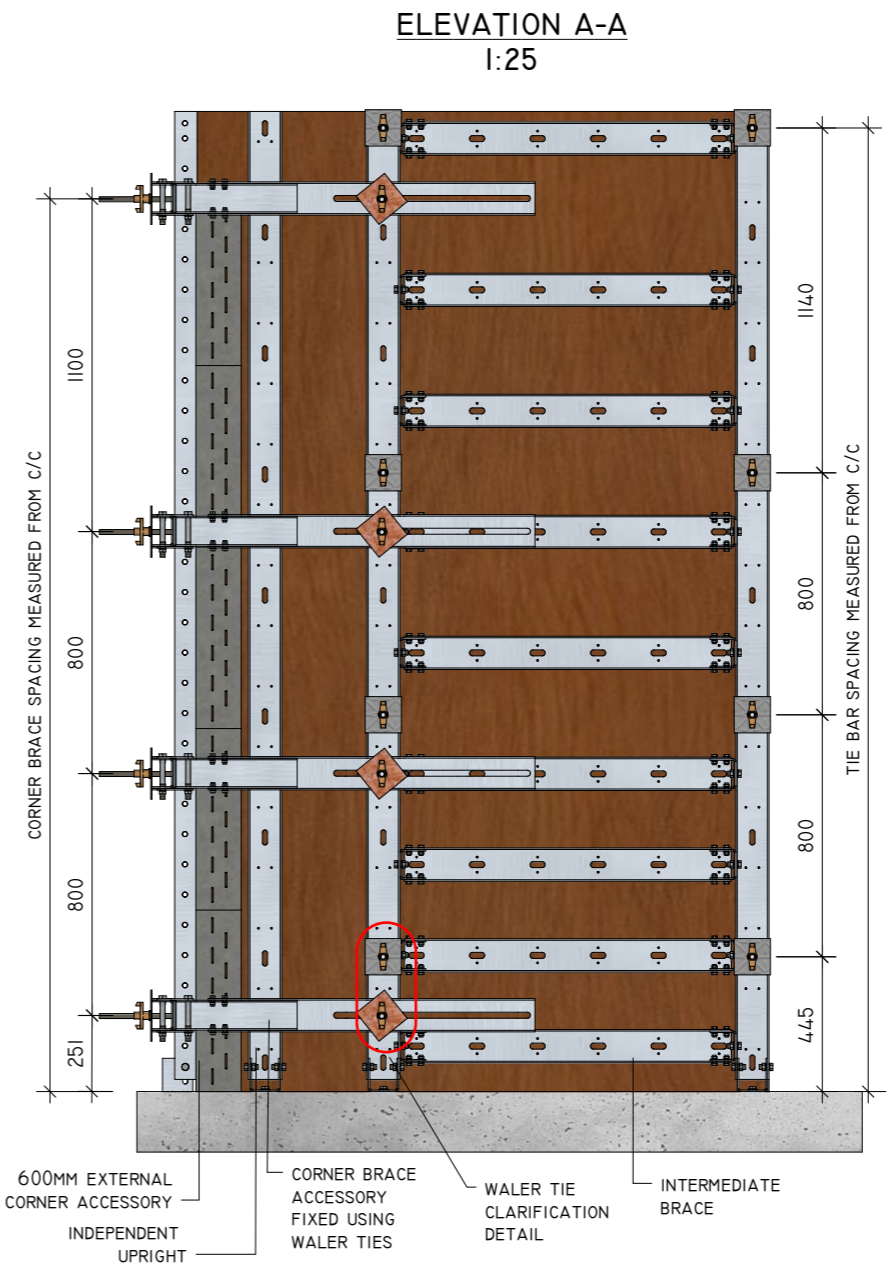
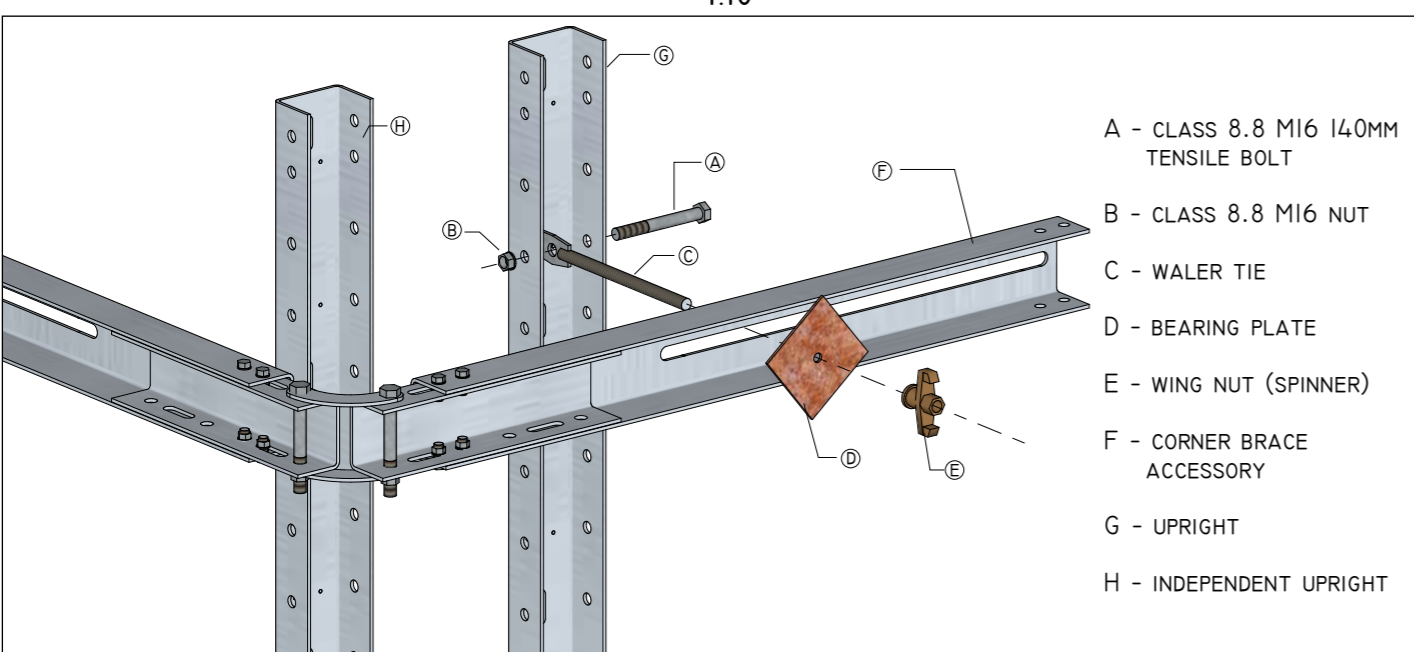
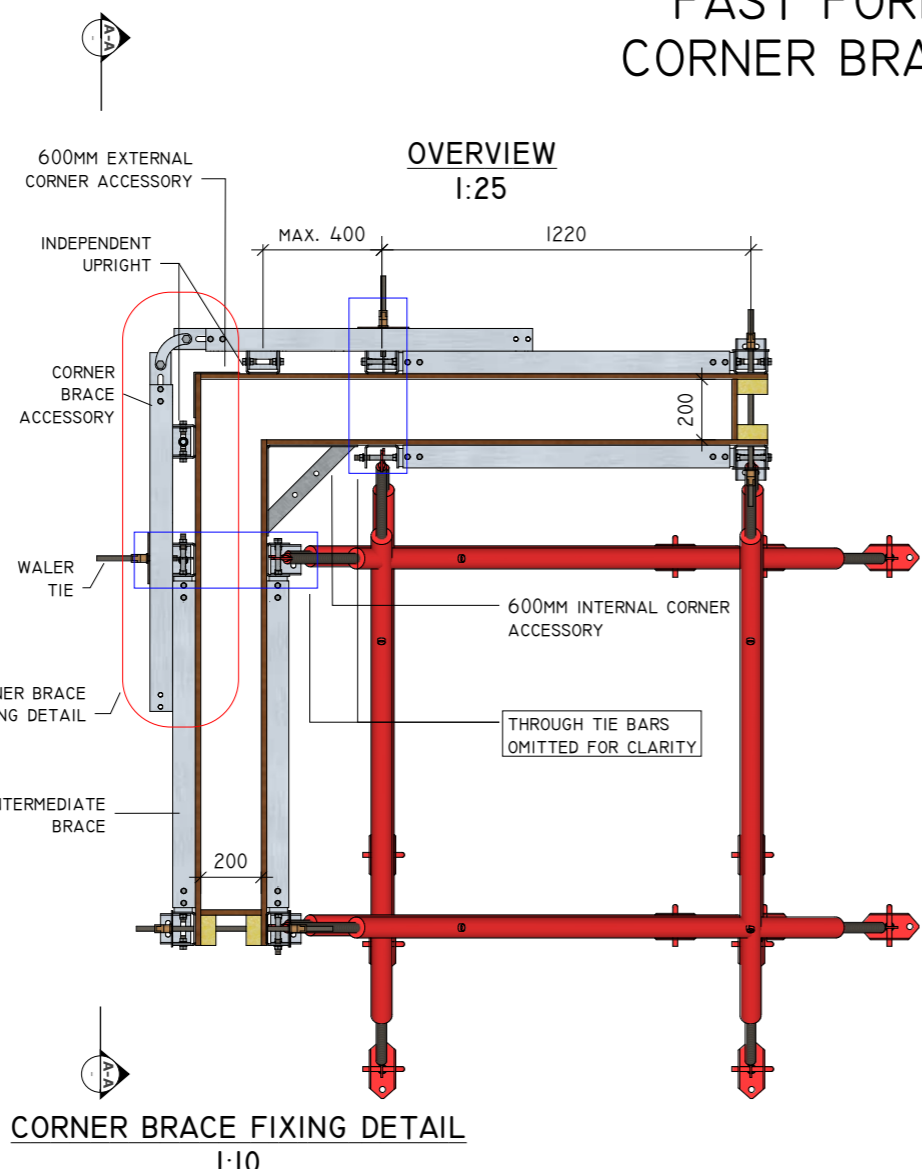
### IMPORTANT:

CONSULT YOUR TEMPORARY WORKS DEPARTMENT BEFORE USING THIS DESIGN FOR CONSTRUCTION.

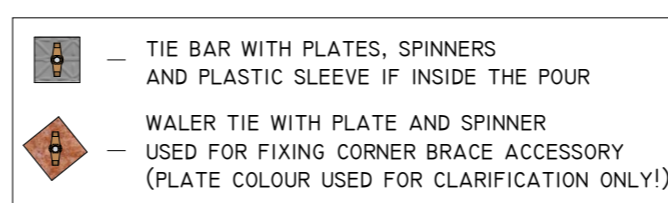


### IMPORTANT:

MAX. CONCRETE PRESSURE 45 kN/M  
MAX. RATE OF POUR 1 M/H



## TIE BAR/WALER TIE CLARIFICATION DETAIL 1:20



## IMPORTANT NOTES:

ALL DIMENSIONS IN MILLIMETRES UNLESS NOTED OTHERWISE.

THIS IS A TYPICAL GUIDE DRAWING ONLY! PLEASE REFER TO YOUR BESPOKE PROJECT DRAWINGS TO OBTAIN EXACT POSITIONING OF PUSH-PULL PROPS, INTERMEDIATE BRACES AND ANY ACCESSORIES USED.

**RECOMMENDED INSTALLATION METHOD**  
START BY ERECTING AN INTERNAL CORNER FIRST (IF MULTIPLE CORNERS ARE INVOLVED FIX ALL OF THEM FIRST IF POSSIBLE). (AS SHOWN): START AS CLOSE TO THE INSIDE CORNER AS POSSIBLE AND USING THE UPRIGHTS AND THE HORIZONTAL JOINING MEMBERS, WORK AWAY FROM THE CORNERS.

WORKING TOWARDS A CORNER: YOU WILL NOT ALWAYS HAVE ENOUGH SPACE TO FIT IN THE HORIZONTAL JOINING MEMBERS, SO UPRIGHTS CAN BE USED ON THEIR OWN AT NO MORE THAN 400MM CENTRES, OPPOSITE EACH OTHER, TIED WITH TIE BARS AND BRACED WITH PUSH-PULL PROPS ON ONE SIDE.

CORNER CLAMPS TO BE SECURED USING THE 300MM WALER TIE ACCESSORIES.

MAXIMUM SPACING BETWEEN EXTERNAL & INTERNAL CORNER ACCESSORIES TO BE NO MORE THAN 100MM VERTICALLY IF PLACING THEM ON TOP OF EACH OTHER IS NOT PRACTICABLY ACHIEVABLE DUE TO THE HEIGHT REQUIRED.

PROPS POSITIONED CLOSEST TO THE CORNER TO BE FIXED TO UPRIGHTS AT VARIOUS LEVELS TO PREVENT THEM FROM CLASHING WITH EACH OTHER.

THE UPRIGHT NEED TO BE FIXED AS CLOSE TO THE CORNER SECTION AS POSSIBLE (MAX. 75MM).



### IMPORTANT:

ALL CONCRETE HOLDING DOWN BOLTS TO BE INSTALLED ACCORDING TO THE MANUFACTURER TECHNICAL APPROVAL AND INSTALLATION GUIDES AND INTO STRUCTURALLY SOUND CONCRETE TO ENSURE A SECURE FIXING.



### IMPORTANT:

CUSTOMER IS TO ENSURE THAT DURING POUR OPERATIONS CONCRETE IS PLACED IN AN EVEN MANNER PREVENTING THE IMBALANCE OF ANY FORCES. CONCRETE PLACEMENT IS TO BE CONTROLLED TO AVOID ADVERSE FORCES FROM HEAVING, SURGE AND IMPACT.

REVISION	DATE	DESCRIPTION	SIGNED
0	22/11/16	ORIGINAL VERSION	K.P.



[www.fastformsystems.com](http://www.fastformsystems.com)  
[info@fastformsystems.com](mailto:info@fastformsystems.com)  
 Tel South: 00 44 (0) 0203 507 1832 / 507 1833 / 507 1834  
 Tel North: 00 44 (0) 1472 488230 / 488660 / 485640



Head Office:  
Unit 1  
Omega Business Park  
Estate Road 6  
Grimsby  
N.E.Lincs  
DN31 2TG

### LEGAL NOTICE:

Fast Form™ is the Trade Mark of Fast-Form Systems Ltd and all designs are copyright and intellectual property of Fast-Form Systems Ltd and may not be reproduced or used without permission. Fast Form™ is covered by the following Patents: granted GB2508263 / GB2533172 Patents Pending GB 1616005.3 / GB 1506126.0 / US-2016-0194887 / PCT W02016 / 110663 / EP 14780541.0 / PCT GB2014 / 052586. Copyright or Trade Mark infringements will be prosecuted. If you see any similar bracket in operation without our name on it please send us an email to [info@fastformsystems.com](mailto:info@fastformsystems.com) we offer a reward for all successful prosecutions.

<b>Drawn By:</b> Karol Podsiadlo	<b>Date:</b> 22/11/16	<b>Rev:</b> 0
<b>Designed by:</b> Karol Podsiadlo	<b>Drawing no:</b> FFS-WSCBD1	
<b>Project:</b> Fast Form Wall System		
<b>Drawing title:</b> Corner Brace Fixing Detail		