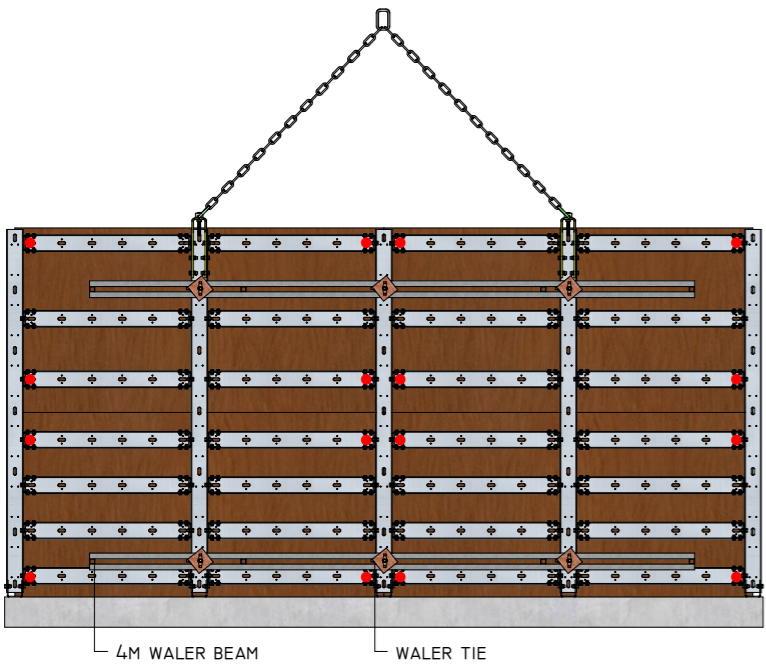
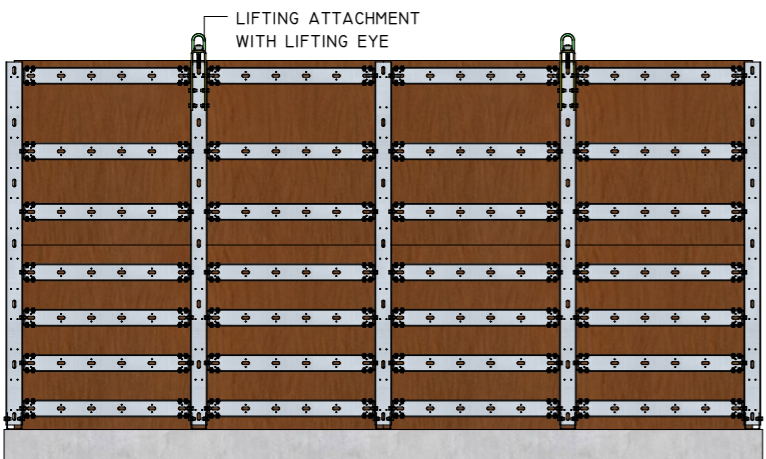
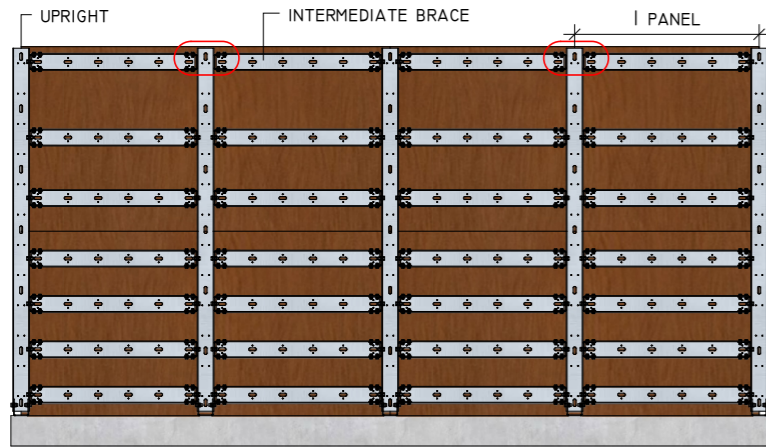


REVISION	DATE	DESCRIPTION	SIGNED
0	27/03/17	ORIGINAL VERSION	K.P.

STEEL WALL SYSTEM TYPICAL LIFTING GUIDE



IMPORTANT NOTES

THESE ARE STANDARD, GENERIC AND NOT SITE SPECIFIC FITTING INSTRUCTIONS FOR LIFTING FAST FORM WALL SYSTEM

STEP 1
REMOVE BOLTS CONNECTING INTERMEDIATE BRACES TO UPRIGHTS, IN PLACES WHERE THE LIFTING ATTACHMENT IS GOING TO BE USED (IN THIS EXAMPLE, CIRCLED IN RED)

STEP 2
FIX LIFTING ATTACHMENTS TO UPRIGHTS LOCATED EITHER SIDE OF THE CENTRAL UPRIGHT - REFER TO [LIFTING ATTACHMENT FIXING DETAIL] FOR INSTALLATION OF LIFTING ATTACHMENT AND LIFTING EYE.

IF M16 SWIVEL LIFTING EYE (SALE ITEM ONLY) SUPPLIED BY FAST FORM SYSTEM THESE WILL INCLUDE A VALID CERTIFICATE OF TEST.

STEP 3
FIX WALER BEAMS, MAKING SURE THE TOP WALER BEAM IS FIXED DIRECTLY UNDERNEATH THE LIFTING ATTACHMENT. FIX BOTTOM WALER BEAM DIRECTLY ABOVE BOTTOM ROW OF INTERMEDIATE BRACES, MAKING SURE BOTH BEAMS ARE FIXED CENTRALLY TO THE PANEL. REFER TO [WALER BEAM FIXING DETAIL] FOR INSTALLATION OF WALER BEAMS.

STEP 4
IF IN DOUBT OF ANYTHING PLEASE CALL OUR OFFICE, WE ARE HERE TO HELP.

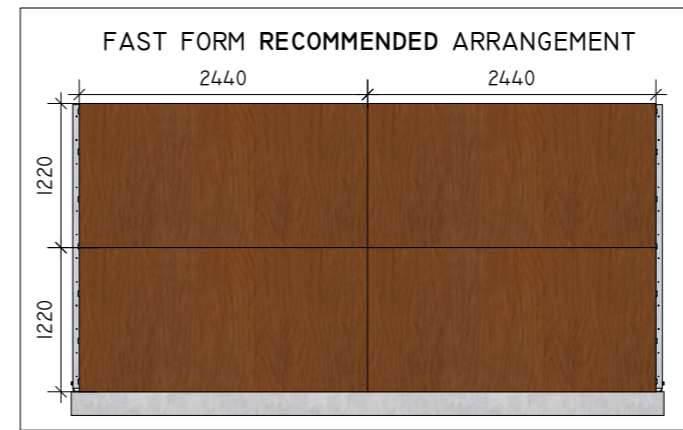


MAXIMUM PERMISSIBLE LIFT USING TYPICAL METHOD: 4 PANELS

FOR CLIENTS WISHING TO LIFT MORE THAN 4 PANELS PLEASE CONTACT OUR OFFICE

• INDICATES POSITION OF FIXING BOLTS

PLYWOOD FIXING ARRANGEMENT FOR LIFTING PANELS



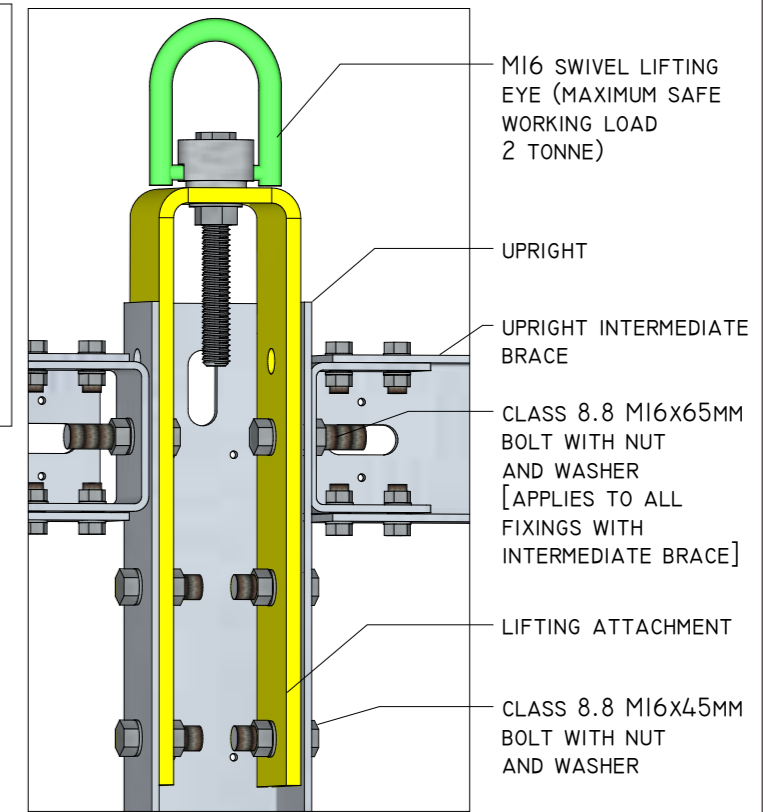
IMPORTANT
PLYWOOD TO BE SECURLY BOLTED TO THE SYSTEM WHEN LIFTING PANELS

MINIMUM FOUR FIXINGS PER SHEET RECOMMENDED FIXINGS:

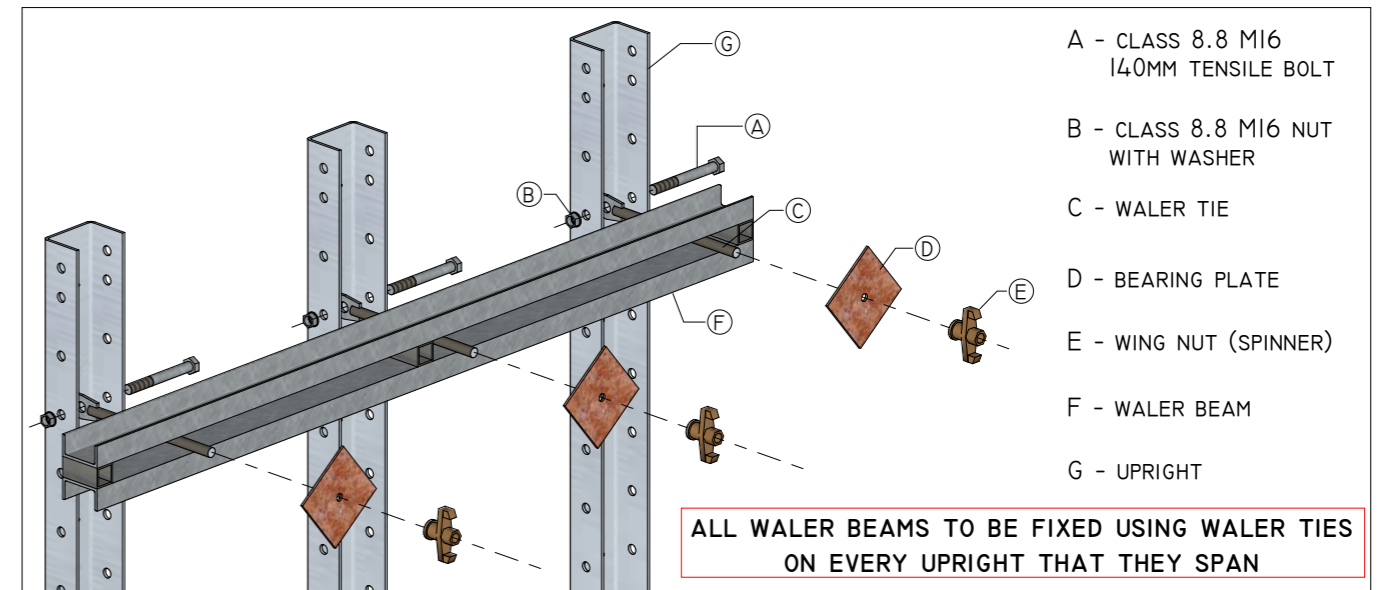


M16 COACH BOLTS OR SIMILAR

LIFTING ATTACHMENT FIXING DETAIL



WALER BEAM FIXING DETAIL



ALL WALER BEAMS TO BE FIXED USING WALER TIES ON EVERY UPRIGHT THAT THEY SPAN

LEGAL NOTICE:

Fast Form™ is the Trade Mark of Fast-Form Systems Ltd and all designs are copyright and intellectual property of Fast-Form Systems Ltd and may not be reproduced or used without permission. Fast Form™ is covered by the following Patents: granted GB2508263 / GB2533172 Patents Pending GB 1616005.3 / GB 1506126.0 / US-2016-0194887 / PCT W02016 / 110663 / EP 14780541.0 / PCT GB2014 / 052586. Copyright or Trade Mark infringements will be prosecuted, If you see any similar bracket in operation without our name on it please send us an email to info@fastformsystems.com we offer a reward for all successful prosecutions.