

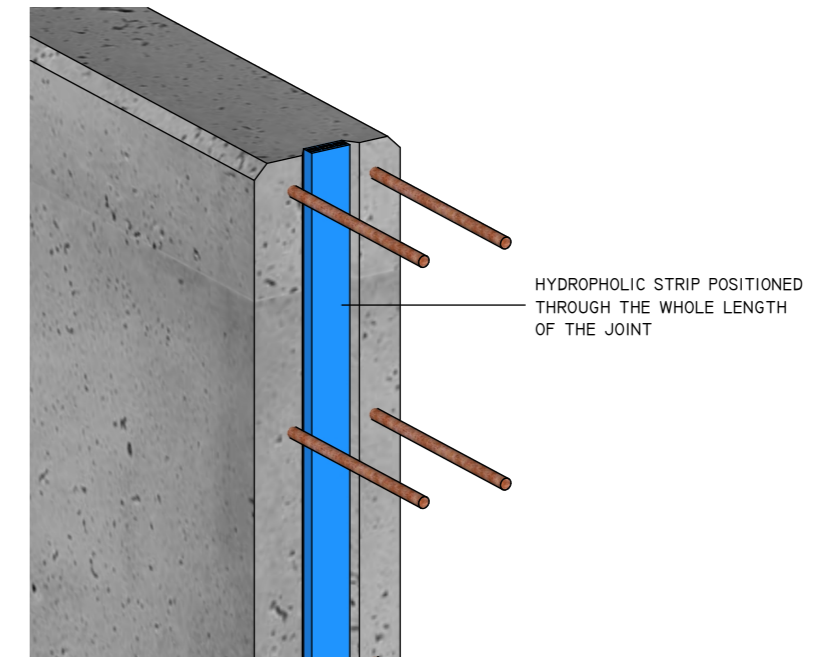
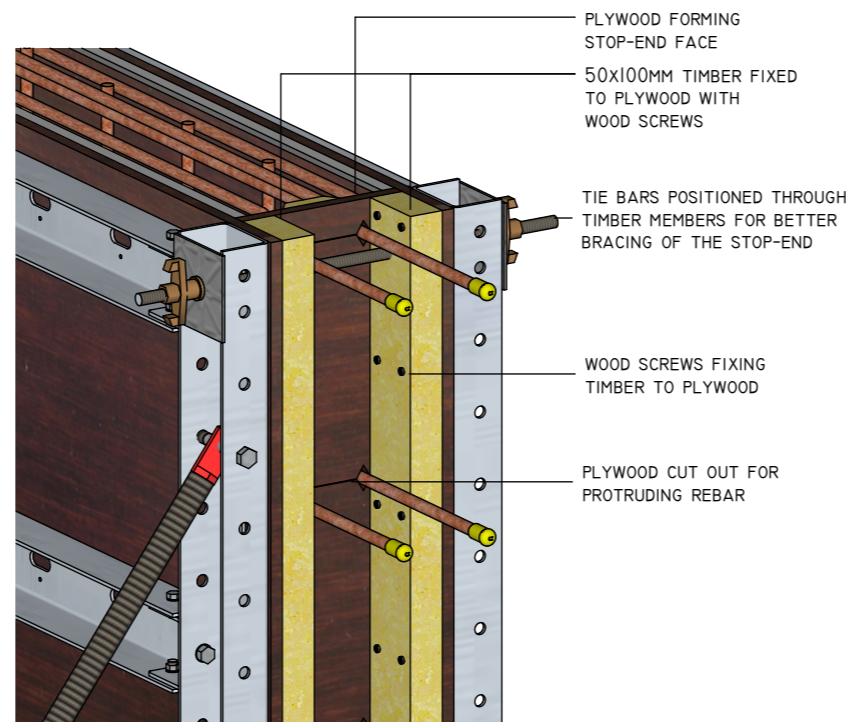
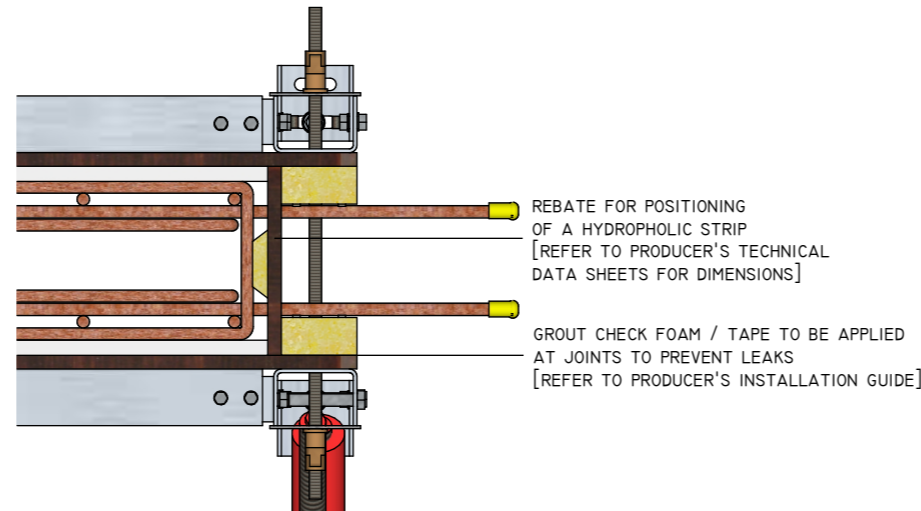
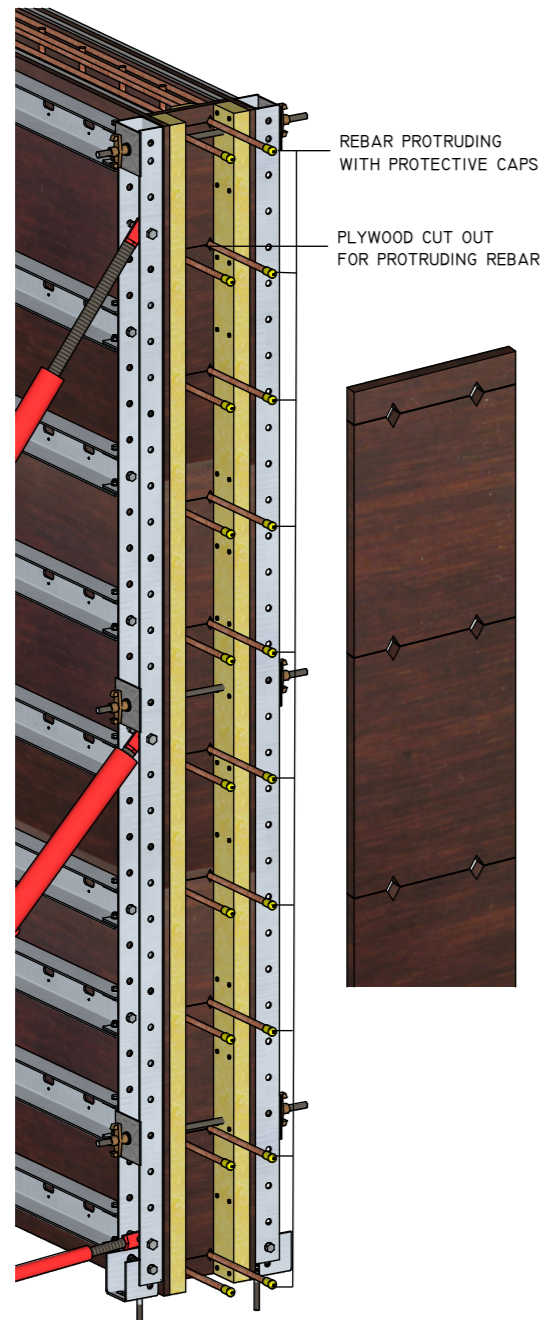
FAST FORM WALL SYSTEM STOP-END EXAMPLE 1

SCALE 1:10 / 1:20

IMPORTANT NOTES:

FAST FORM SYSTEMS LTD DOES NOT PROVIDE STOP-ENDS. THIS IS ONLY AN EXAMPLE DRAWING OF A POSSIBLE STOP-END SET-UP !!!

CONSULT WITH YOUR TEMPORARY WORKS DEPARTMENT BEFORE DESIGNING A STOP-END.



REVISION	DATE	DESCRIPTION	SIGNED
0	4/06/15	ORIGINAL VERSION	K.P.
A	4/06/16	ANNUAL REVISION	K.P.



www.fastformsystems.com

info@fastformsystems.com

Tel South: 00 44 (0) 0203 507 1832 / 507 1833 / 507 1834

Tel North: 00 44 (0) 1472 488230 / 488660 / 485640



Head Office:
Unit 1
Omega Business Park
Estate Road 6
Grimsby
N.E.Lincs
DN31 2TG

LEGAL NOTICE:

Fast Form™ is the Trade Mark of Fast-Form Systems Ltd and all designs are copyright and intellectual property of Fast-Form Systems Ltd and may not be reproduced or used without permission. Fast Form™ is covered by the following Patents: granted GB2508263 / GB2533172 Patents Pending GB 1616005.3 / GB 1506126.0 / US-2016-0194887 / PCT W02016 / 110663 / EP 14780541.0 / PCT GB2014 / 052586. Copyright or Trade Mark infringements will be prosecuted, if you see any similar bracket in operation without our name on it please send us an email to info@fastformsystems.com we offer a reward for all successful prosecutions.

Drawn By: Karol Podsiadlo

Date: 04/06/15

Rev: A

Designed by: Tony White

Drawing no: FFS-WSSE1

Project: Fast Form Wall System

Drawing title: Stop-End Example 1