

DOUBLE SIDED RADIUS WALL SYSTEM ECRECTION STEP BY STEP GUIDE

IMPORTANT NOTES:

THIS DRAWING TO BE USED IN CONJUNCTION WITH TYPICAL DOUBLE SIDED WALL SYSTEM CROSS-SECTION AND ELEVATION VIEWS OR BESPOKE PROJECT DRAWINGS TO OBTAIN EXACT POSITIONING OF PUSH-PULL PROPS, TIE BARS AND UPRIGHT'S CENTRES.

THESE ARE STANDARD, GENERIC AND NOT SITE SPECIFIC FITTING INSTRUCTIONS FOR THE FAST FORM RADIUS WALL SYSTEM.

1. START BY MARKING OUT THE RADIUS LINE OF THE SHUTTER (REMEMBER TO DEDUCT THE PLYWOOD AND TIMBER BEAMS THICKNESS). DRILL A HOLE FOR THE CONCRETE HOLDING DOWN BOLT IN ACCORDANCE WITH BOLT MANUFACTURER TECHNICAL SPECIFICATIONS AND INSTALLATION GUIDE. FOR DOUBLE SIDED FAST FORM WALL SYSTEM USE 1X CONCRETE BOLT PER UPRIGHT AND PER PROP'S FOOT. ALL CONCRETE BOLTS SHOULD BE TIGHTENED WITH A 110V IMPACT WRENCH.

IMPORTANT

2. ALWAYS START WORKING FROM THE INSIDE CORNER MOVING AWAY FROM IT [REFER TO DRAWING NO. FFS-WSTC FOR MORE DETAILS].

3. FIX DOWN SECOND UPRIGHT WITH TOP PUSH-PULL, STAGGERING THE PROP IF NECESSARY [REFER TO STANDARD OR SITE SPECIFIC DRAWINGS TO OBTAIN EXACT UPRIGHT CENTRES].

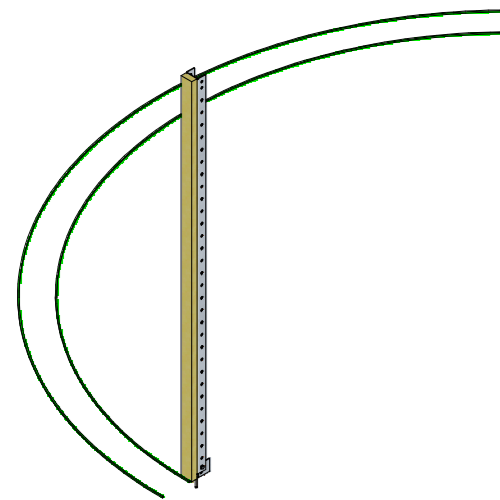
4. REPEAT THE PROCESS UNTIL ALL UPRIGHTS ON THE INTERNAL RADIUS ARE FIXED.

5. START FIXING PLYWOOD TO THE TIMBER BEAMS. PLYWOOD IS FIXED FROM BEHIND USING 50MM SCREWS.

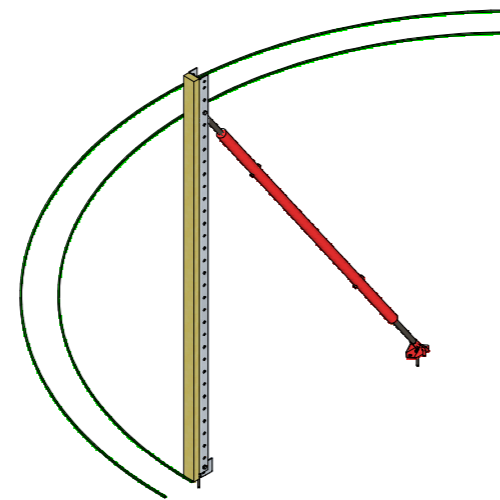
6. WISAFORM MDO PLYWOOD, IF SUPPLIED BY FAST FORM SYSTEMS, THE LIGHT BROWN FACE IS THE FACE TO USE FOR THE CONCRETE SIDE, NOT THE DARK BROWN FACE. ALL PLYWOOD SHOULD BE SUITABLY OILED FOR EASY RELEASE AFTER CONCRETING.

7. IF ACCESS AND HANDRAILS HAVE BEEN REQUESTED BY THE CLIENT, THEY SHOULD BE FITTED BY A COMPETENT PERSON AND MADE SECURE BEFORE BEING USED AS A PLATFORM. THE ACCESS IS NOT LOAD BEARING AND SHOULD NOT BE USED FOR ANYTHING OTHER THAN ACCESS FOR CONCRETE POURING [REFER TO DRAWINGS NO FFS-APHR# FOR MORE DETAILS].

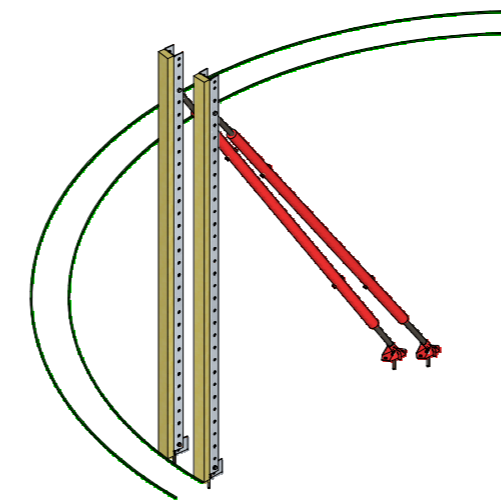
8. IF IN DOUBT OF ANYTHING PLEASE CALL OUR OFFICE, WE ARE HERE TO HELP.



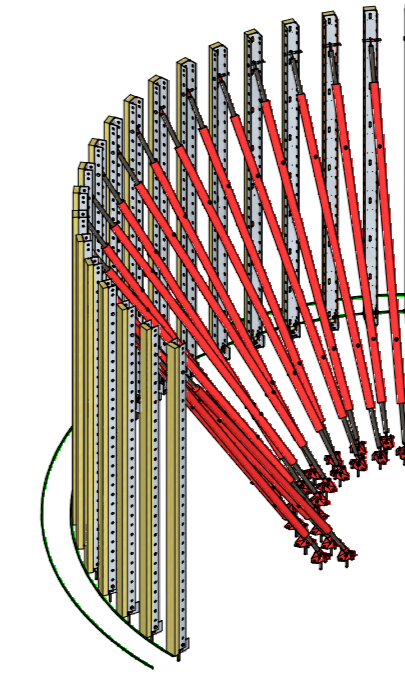
STEP ONE:
MARK THE REQUIRED RADIUS WALL. DRILL AND FIX FIRST UPRIGHT TO THE LINE OF THE WALL MINUS PLYWOOD AND TIMBER THICKNESS. FOLLOW BOLT MANUFACTURER TECHNICAL SPECIFICATION AND INSTALLATION GUIDES TO PROPERLY SECURE THE CONCRETE BOLTS. FIX 100X50MM TIMBER BEAM TO THE UPRIGHT - ALTERNATIVELY FIX TIMBER BEAMS TO ALL UPRIGHTS PRIOR TO FIXING AND DRILLING THE UPRIGHTS DOWN.



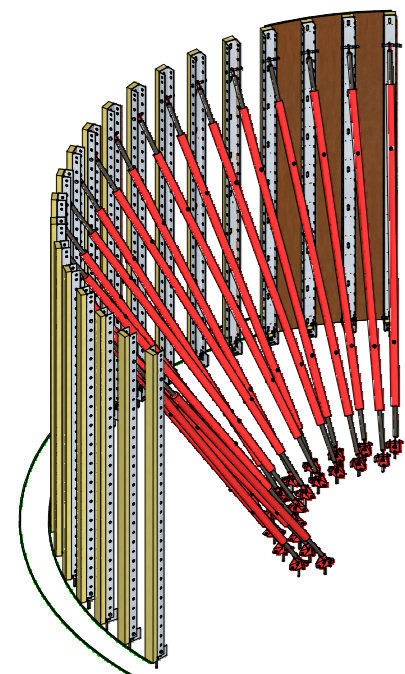
STEP TWO:
FIX TOP PUSH-PULL PROP OMITTING ANY INTERMEDIATE PUSH-PULL PROPS FOR EASIER PLUMBING OF THE SYSTEM.



STEP THREE:
REPEAT STEPS ONE AND TWO, STAGGERING THE PUSH-PULL PROP IF NECESSARY. REFER TO STANDARD OR SITE SPECIFIC DRAWINGS TO OBTAIN EXACT UPRIGHT CENTRES.

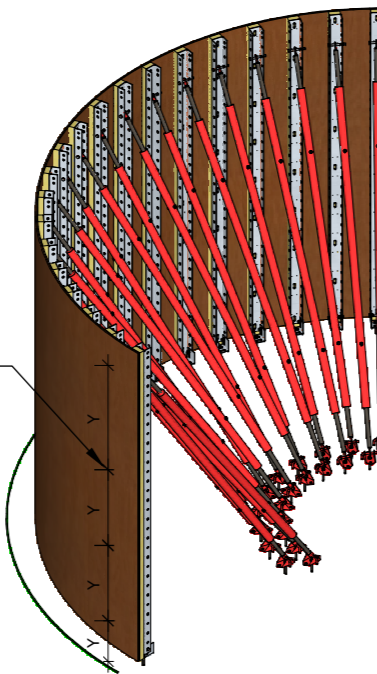


STEP FOUR:
REPEAT THE PREVIOUS STEPS UNTIL ALL UPRIGHTS ON THE INTERNAL RADIUS WALL ARE FIXED.

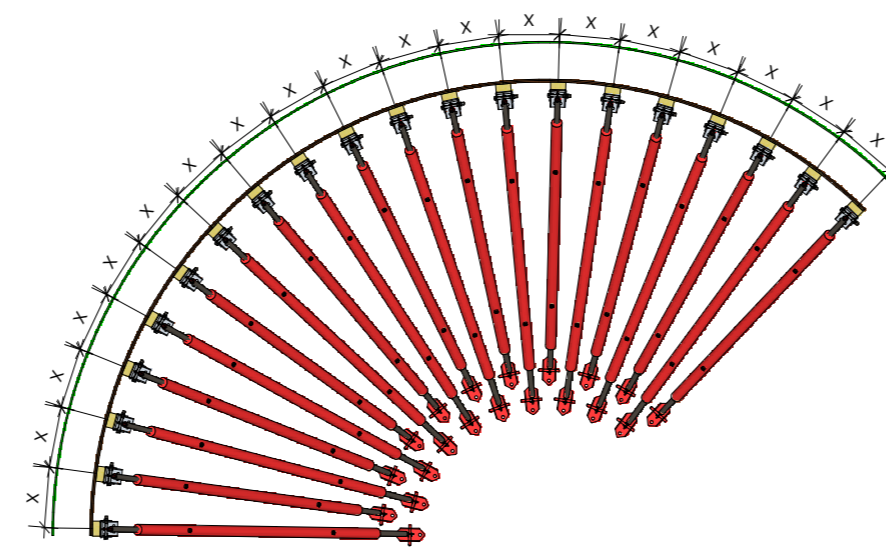


STEP FIVE:
START FIXING THE PLYWOOD - SUITABLE PLYWOOD THICKNESS TO BE USED TO ACHIEVE DESIRED RADIUS - SECURING IT FROM THE FACE OF PLYWOOD INTO TIMBER BEAMS USING RINGSHANK/ANNULAR NAILS OR SCREWS. MAKE SURE THE PLYWOOD JOINTS FALL ON THE CENTRE OF THE UPRIGHTS.

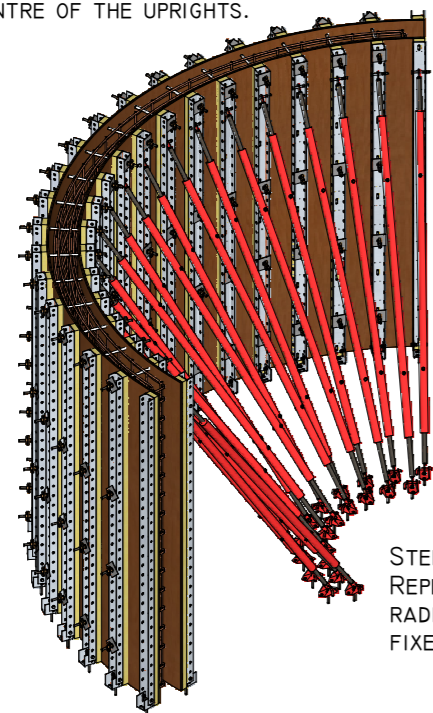
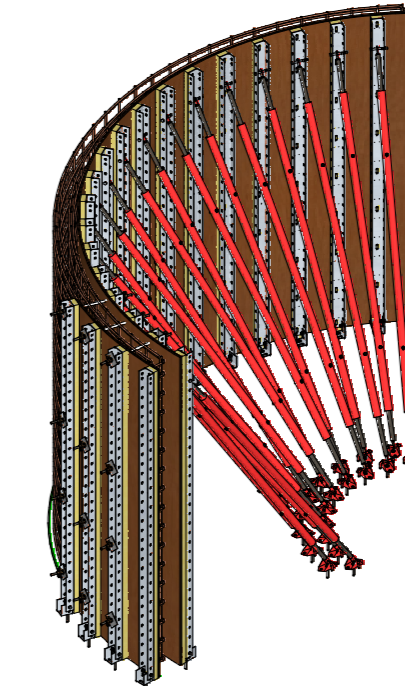
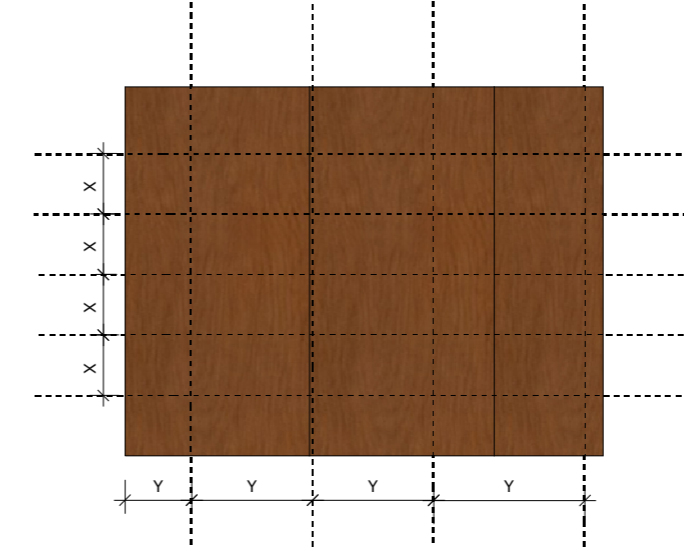
MARK TIE BAR HOLE POSITIONS AND DRILL THE PLYWOOD [REFER TO THE SITE SPECIFIC DRAWINGS FOR EXACT DIMENSIONS]



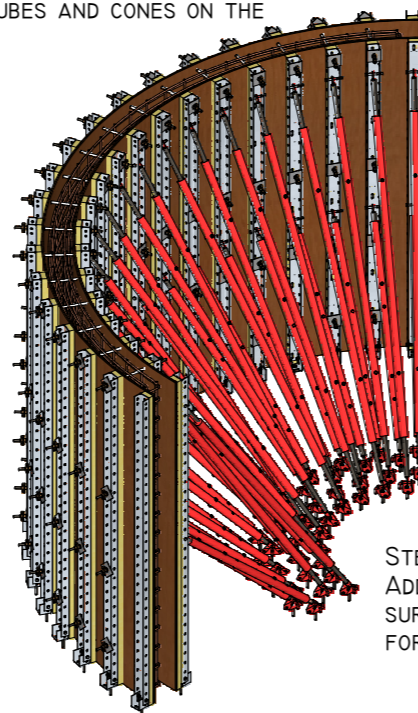
STEP SIX:
REPEAT THE PROCESS FOR THE WHOLE INTERNAL RADIUS OF THE WALL. ONCE ALL THE PLYWOOD IS FIXED LINE IN AND PLUMB UP THE WHOLE SYSTEM. MARK AND DRILL THE TIE BAR HOLES IN THE PLYWOOD. POSITION THE TIE BARS THROUGH THE HOLES AND PUT THE PLASTIC TUBES AND CONES ON THE TIE BARS.



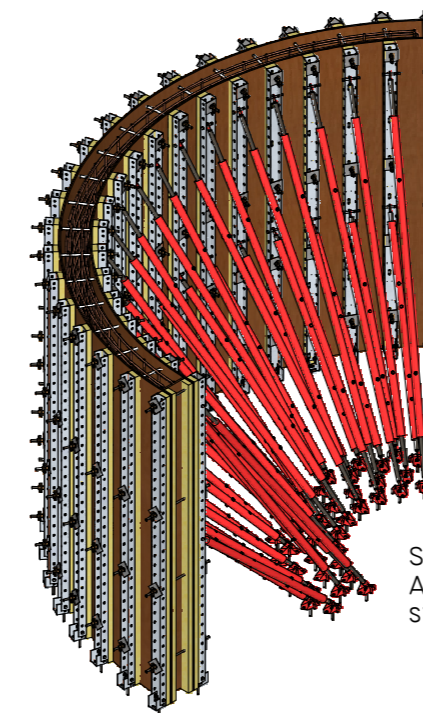
STEP SEVEN:
FIX REBAR. MARK THE GROUND OPPOSITE EACH INTERNAL UPRIGHT AT 90 DEG. MEASURE THE DISTANCE BETWEEN THE UPRIGHTS ON THE RADIUS (X). MEASURE THE DISTANCE BETWEEN THE TIE BAR HOLES POSITIONS FROM THE GROUND AS WELL (Y). TRANSFER THE MEASUREMENTS/POSITIONS OF THE TIE BAR HOLES ON TO THE EXTERNAL PLYWOOD SHEETS AND DRILL THEM. LAY THE UPRIGHTS ON THE PLYWOOD AT THE CORRECT CENTRES MEASURED OF THE INTERNAL RADIUS SIDE. SCREW THE PLYWOOD ON TO THE UPRIGHTS AND MAKE SURE THE JOINTS END UP IN THE CENTRES OF THE UPRIGHTS. PLYWOOD SHEETS MAY HAVE TO BE CUT DOWN TO SIZE. ERECT THE SECTIONS AND BEND TO THE OUTSIDE LINE FIXING DOWN INDIVIDUAL UPRIGHTS ONE AT A TIME MAKING SURE TO FOLLOW THE LINE AND CHECKING THE HOLES ARE LINING UP CORRECTLY AS YOU GO.



STEP EIGHT:
REPEAT THE PROCESS FOR THE WHOLE EXTERNAL RADIUS OF THE WALL. ONCE ALL THE PLYWOOD IS FIXED LINE IN AND PLUMB UP THE WHOLE SYSTEM.

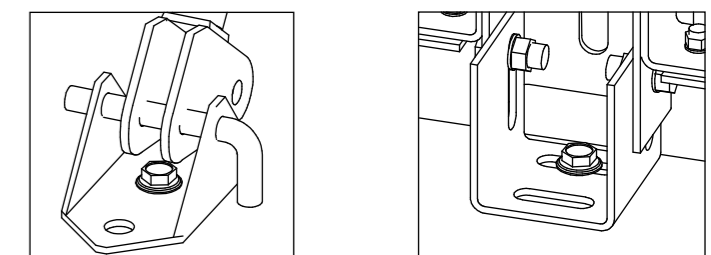


STEP NINE:
ADD REMAINING INTERMEDIATE PROPS, MAKING SURE THEY FIT SNUGGLY WITHOUT APPLYING FORCE IN EITHER DIRECTION.



STEP TEN:
ADD STOP-ENDS AND MAKE SURE THE WHOLE SYSTEM IS PLUMB UP.

CORRECT POSITIONING OF CONCRETE BOLTS



Legal Notice:

Fast Form™ is the Trade Mark of Fast-Form Systems Ltd and all designs are copyright and intellectual property of Fast Form Systems Ltd and may not be reproduced or used without permission.
Fast Form™ is covered by the following Patents: granted GB2508263 / GB2533172 Patents Pending GB 1616005.3 / GB 1506126.0 / US-2016-0194887 / PCT WO2016 / 110663 / EP 14780541.0 / PCT GB2014 / 052586.
Copyright or Trade Mark infringements will be prosecuted, If you see any similar system in operation without our name on it please send us an email to info@fastformsystems.com, we offer a reward for all successful prosecutions.