

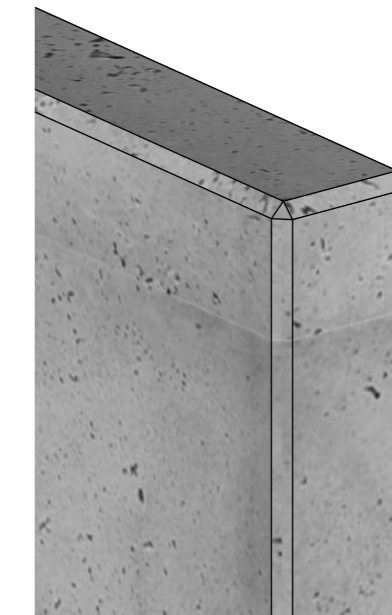
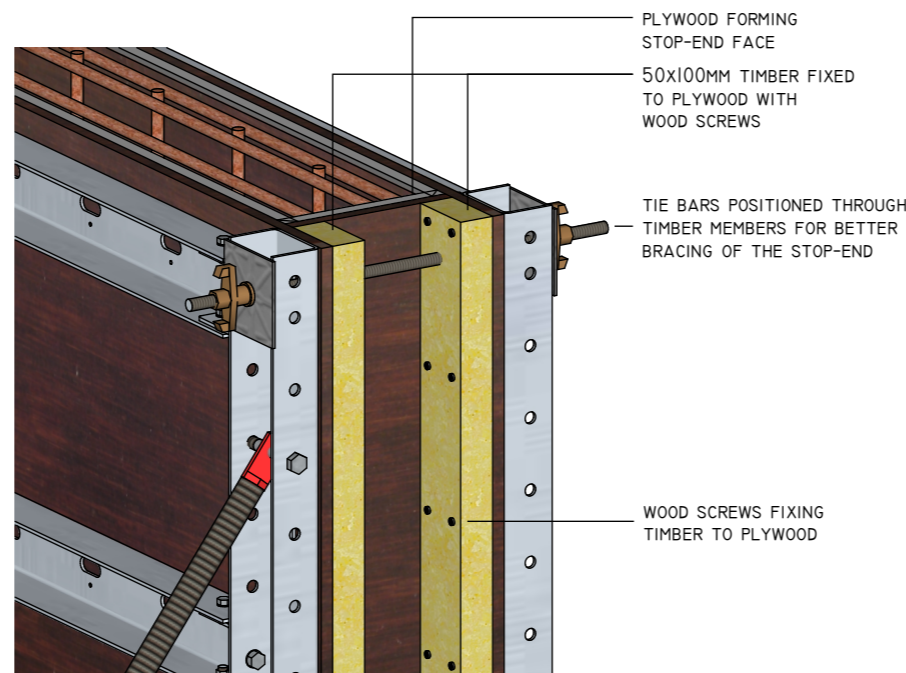
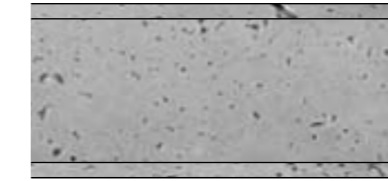
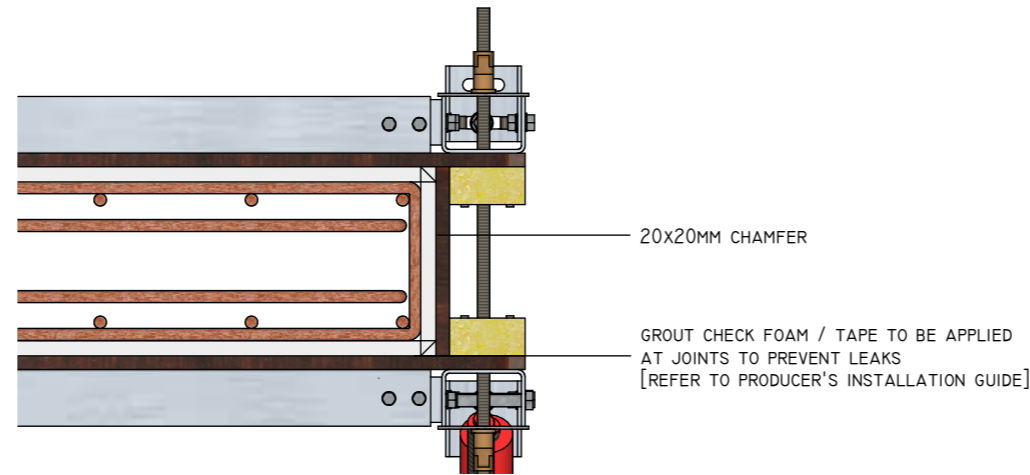
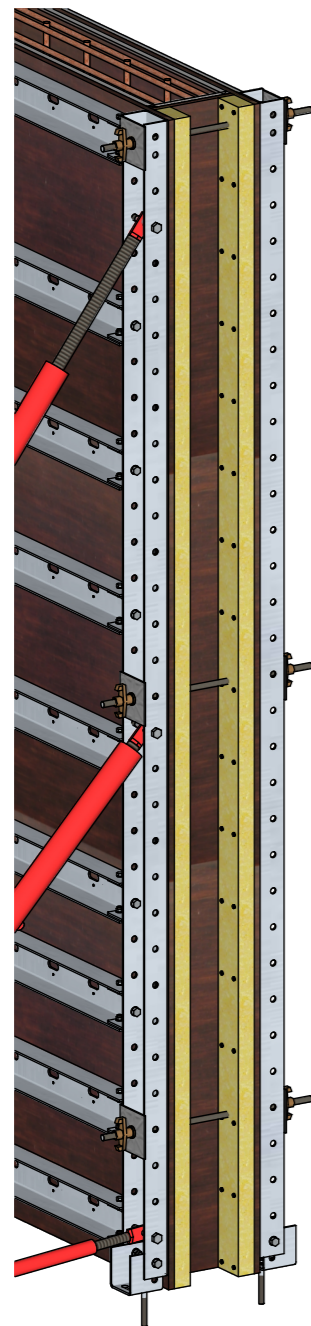
# FAST FORM WALL SYSTEM STOP-END EXAMPLE 2

SCALE 1:10 / 1:20

## IMPORTANT NOTES:

**FAST FORM SYSTEMS LTD DOES NOT PROVIDE STOP-ENDS. THIS IS ONLY AN EXAMPLE DRAWING OF A POSSIBLE STOP-END SET-UP !!!**

CONSULT WITH YOUR TEMPORARY WORKS DEPARTMENT BEFORE DESIGNING A STOP-END.



REVISION	DATE	DESCRIPTION	SIGNED
0	4/06/15	ORIGINAL VERSION	K.P.
A	4/06/16	ANNUAL REVISION	K.P.



[www.fastformsystems.com](http://www.fastformsystems.com)

[info@fastformsystems.com](mailto:info@fastformsystems.com)

Tel South: 00 44 (0) 0203 507 1832 / 507 1833 / 507 1834

Tel North: 00 44 (0) 1472 488230 / 488660 / 485640



Head Office:  
Unit 1  
Omega Business Park  
Estate Road 6  
Grimsby  
N.E.Lincs  
DN31 2TG

### LEGAL NOTICE:

Fast Form™ is the Trade Mark of Fast-Form Systems Ltd and all designs are copyright and intellectual property of Fast-Form Systems Ltd and may not be reproduced or used without permission. Fast Form™ is covered by the following Patents: granted GB2508263 / GB2533172 Patents Pending GB 1616005.3 / GB 1506126.0 / US-2016-0194887 / PCT W02016 / 110663 / EP 14780541.0 / PCT GB2014 / 052586. Copyright or Trade Mark infringements will be prosecuted, if you see any similar bracket in operation without our name on it please send us an email to [info@fastformsystems.com](mailto:info@fastformsystems.com) we offer a reward for all successful prosecutions.

**Drawn By:** Karol Podsiadlo

**Date:** 04/06/15

**Rev:** A

**Designed by:** Tony White

**Drawing no:** FFS-WSSE2

**Project:** Fast Form Wall System

**Drawing title:** Stop-End Example 2