

ONE SIDED CAPPING BEAM W/ ACCESS

CROSS-SECTION

SCALE 1:10

IMPORTANT NOTES:

MINIMUM THICKNESS AND STRENGTH OF CONCRETE BLINDING FOR INSTALLATION OF FISCHER FBS CONCRETE BOLTS IS SPECIFIED IN THE FISCHER'S TECHNICAL APPROVAL ETA - 11/0095. FOR FBS 14 BOLTS THE MINIMUM THICKNESS IS 200MM. ALL BOLTS TO BE TIGHTENED WITH A 110V IMPACT WRENCH!

MAKE SURE THAT EACH UPPER BRACKET IS POSITIONED EXACTLY OVER THE SUPPORT BRACKET AND FIXED THROUGH PLYWOOD WITH TENSILE BOLTS!!!

PLYWOOD TO BE FIXED TO BRACKETS USING ALL AVAILABLE HOLES WITH 25MM WOOD SCREWS.

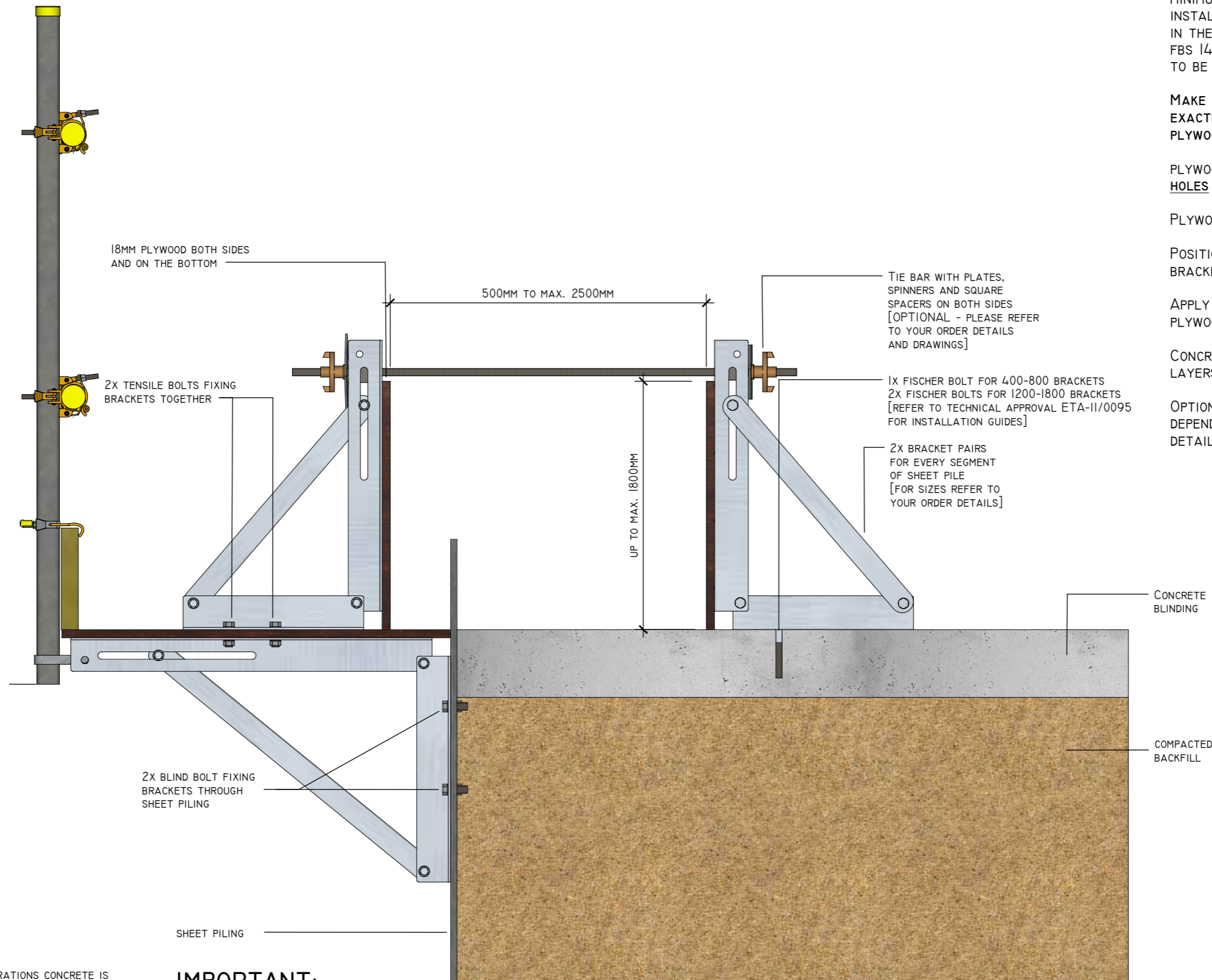
PLYWOOD TO BE MIN. 18MM EXTERIOR STRUCTURAL GRADE.

POSITION THE PLYWOOD JOINTS TO FALL ON CENTRE OF THE BRACKETS.

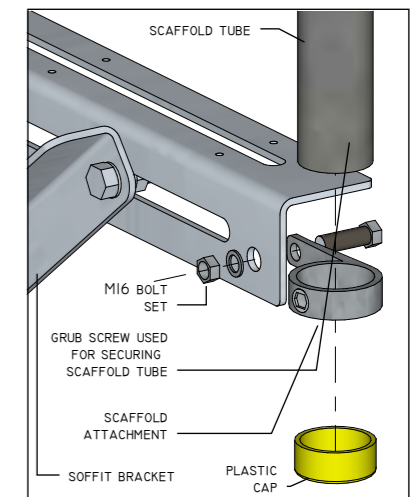
APPLY CONCRETE RELEASE AGENT / MOULD OIL TO FACE OF PLYWOOD PRIOR TO POURING CONCRETE.

CONCRETE TO BE POURED AND COMPACTED IN MAX. 600MM LAYERS PER HOUR.

OPTIONAL TIE BARS CAN BE FITTED BETWEEN BRACKET FACES DEPENDENT ON THE SIZE OF THE POUR. REFER TO YOUR ORDER DETAILS AND DRAWINGS.



DETAIL I



IMPORTANT:

ALL FBS BOLTS TO BE INSTALLED ACCORDING TO THE FISCHER'S TECHNICAL APPROVAL ETA - 11/0095 AND INSTALLATION GUIDES.

IMPORTANT:

CUSTOMER IS TO ENSURE THAT DURING POUR OPERATIONS CONCRETE IS PLACED IN AN EVEN MANNER PREVENTING THE IMBALANCE OF ANY FORCES. CONCRETE PLACEMENT IS TO BE CONTROLLED TO AVOID ADVERSE FORCES FROM HEAVING, SURGE AND IMPACT.

IMPORTANT:

CONSULT YOUR TEMPORARY WORKS DEPARTMENT BEFORE USING THIS DESIGN FOR CONSTRUCTION.

LEGAL NOTICE:

Fast Form™ is the Trade Mark of Fast-Form Systems Ltd and all copyright and intellectual property belong to the company. Fast Form™ is Patent granted, Patent number GB2508263 and is covered by a Worldwide Patent PCT/GB2014/052586 and further patent application No 1506126.0. Copyright or Trade Mark infringements will be prosecuted, If you see any similar bracket in operation without our name on it please send us an email to info@fastformsystems.com we offer a reward for all successful prosecutions.

Drawn By: Karol Podsiadlo

Date: 04/06/15

Rev: A

Designed by: Tony White

Drawing no: FFS-CBOS1

Project: One Sided Capping Beam

Drawing title: Cross-section



www.fastformsystems.com

info@fastformsystems.com

Tel South: 00 44 (0) 0203 507 1832 / 507 1833 / 507 1834

Tel North: 00 44 (0) 1472 488230 / 488660 / 485640



Head Office:
Unit 1
Omega Business Park
Estate Road 6
Grimsby
N.E.Lincs
DN31 2TG