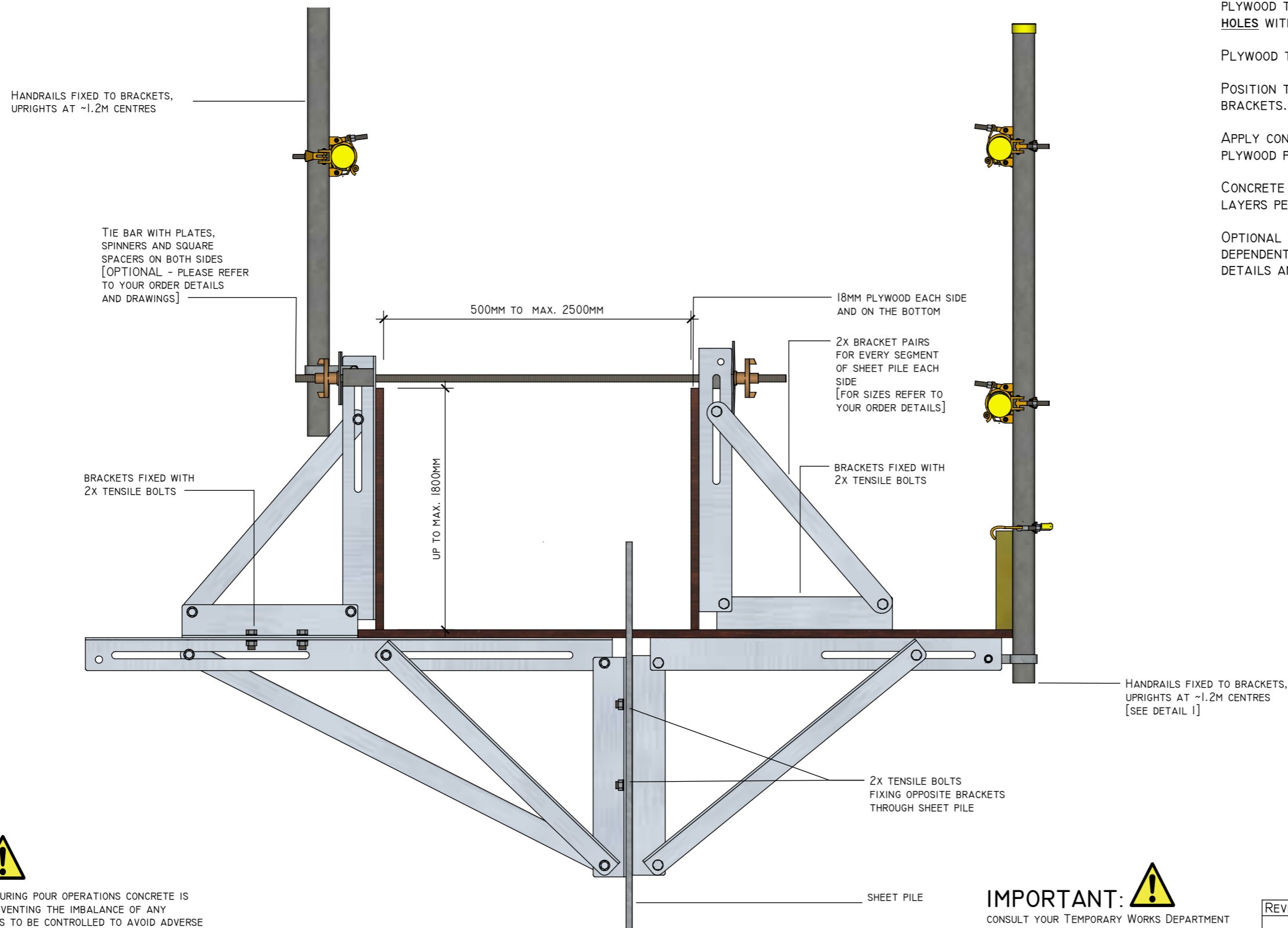


DOUBLE SIDED CAPPING BEAM W/ ACCESS

SECTION

SCALE 1:10



IMPORTANT NOTES:

MAKE SURE THAT EACH UPPER BRACKET IS POSITIONED EXACTLY OVER THE SUPPORT BRACKET AND FIXED THROUGH PLYWOOD WITH TENSILE BOLTS!!!

PLYWOOD TO BE FIXED TO BRACKETS USING ALL AVAILABLE HOLES WITH 25MM WOOD SCREWS.

PLYWOOD TO BE MIN. 18MM EXTERIOR STRUCTURAL GRADE.

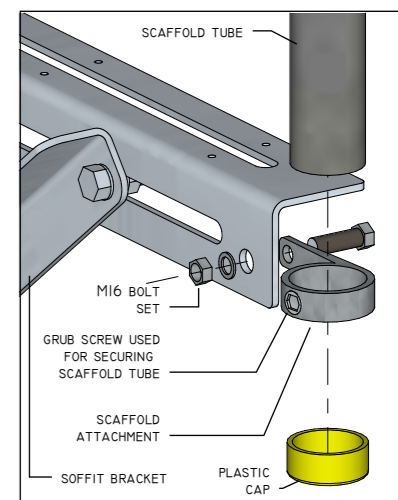
POSITION THE PLYWOOD JOINTS TO FALL ON CENTRE OF THE BRACKETS.

APPLY CONCRETE RELEASE AGENT / MOULD OIL TO FACE OF PLYWOOD PRIOR TO POURING CONCRETE.

CONCRETE TO BE POURED AND COMPACTED IN MAX. 600MM LAYERS PER HOUR.

OPTIONAL TIE BARS CAN BE FITTED BETWEEN BRACKET FACES DEPENDENT ON THE SIZE OF THE POUR. REFER TO YOUR ORDER DETAILS AND DRAWINGS.

DETAIL 1



IMPORTANT:

ALL CONCRETE HOLDING DOWN BOLTS TO BE INSTALLED ACCORDING TO THE MANUFACTURER TECHNICAL APPROVAL AND INSTALLATION GUIDES AND INTO STRUCTURALLY SOUND CONCRETE TO ENSURE A SECURE FIXING.



IMPORTANT:

CUSTOMER IS TO ENSURE THAT DURING POUR OPERATIONS CONCRETE IS PLACED IN AN EVEN MANNER PREVENTING THE IMBALANCE OF ANY FORCES. CONCRETE PLACEMENT IS TO BE CONTROLLED TO AVOID ADVERSE FORCES FROM HEAPING, SURGE AND IMPACT.



IMPORTANT:

CONSULT YOUR TEMPORARY WORKS DEPARTMENT BEFORE USING THIS DESIGN FOR CONSTRUCTION.



REVISION	DATE	DESCRIPTION	SIGNED
0	4/06/15	ORIGINAL VERSION	K.P.
A	4/06/16	ANNUAL REVISION	K.P.



www.fastformsystems.com

info@fastformsystems.com

Tel South: 00 44 (0) 0203 507 1832 / 507 1833 / 507 1834

Tel North: 00 44 (0) 1472 488230 / 488660 / 485640



Head Office:
Unit 1
Omega Business Park
Estate Road 6
Grimsby
N.E.Lincs
DN31 2TG

LEGAL NOTICE:

Fast Form™ is the Trade Mark of Fast-Form Systems Ltd and all designs are copyright and intellectual property of Fast-Form Systems Ltd and may not be reproduced or used without permission. Fast Form™ is covered by the following Patents: granted GB2508263 / GB2533172 Patents Pending GB 1616005.3 / GB 1506126.0 / US-2016-0194887 / PCT W02016 / 110663 / EP 14780541.0 / PCT GB2014 / 052586. Copyright or Trade Mark infringements will be prosecuted, if you see any similar bracket in operation without our name on it please send us an email to info@fastformsystems.com we offer a reward for all successful prosecutions.

Drawn By: Karol Podsiadlo

Date: 04/06/15

Rev: A

Designed by: Tony White

Drawing no: FFS-CBDS1

Project: Double Sided Capping Beam

Drawing title: Cross-section